



**Product Image:**



**NEW 2 in 1  
24V 6Amp CHARGER  
Charge both Lithium-ion  
and Lead acid batteries  
in one unit.**

**Product Description**

- Charging both Lithium and lead acid battery in one unit.
- 3 / 6A charge current selectable
- Selectable charge algorithm for Li-Polymer7S/8S and LiFePO4 8S.
- 9 Step intelligent charging program for Lead Acid battery, keep battery in good working condition.
- Full protections for lead acid battery:
  - Reverse polarity protection
  - Short circuit protection
  - Spark proof
  - Over heat protection
- Fire retardant plastic material
- Battery Recovery mode
- Real Battery maintenance mode, prolong Battery life span.
- Sliding up handle bar for easier carrying and hanging

**Output Cable :**

Non - changeable alligator clamps

**Function/ Features / Benefit:**

Features Model No.	Charge algorithm	Voltage select	Current select	Spark proof	Reverse polarity	Temp. protect	IP	Wall Mounted	Power supply	LCD	Battery Recovery
BCA-2602	9 steps		●	●	●	●	20	●	SMPS		●

**Applications:**

Applications Model No.							
BCA-2602		●	●	●	●	●	

**Certifications:**

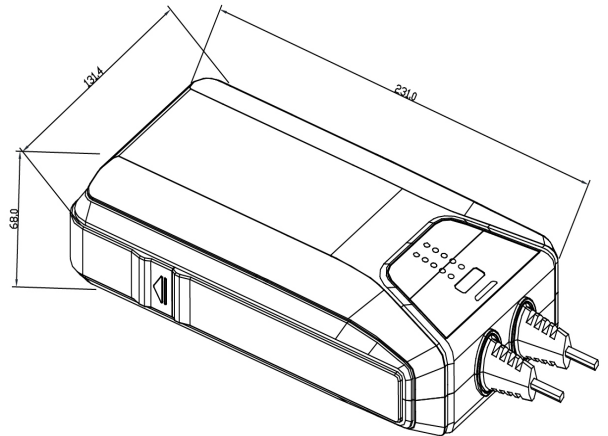
Certification Model No.	CE/GS	UL/CUL	RoHS	SAA	EMC	E-mark	PSE	PAH	BEAB
BCA-2602	●	●	●		●			●	

# BCA-2406 24V 6A Li-ion/SLA Battery Charger

## Mechanical Specifications:

AC Cable	1.2M length H03VV-F
DC Cable	1.2M length
Dimension	L. 231 x W. 131.4 x H. 68mm
Packing Meas.	L .370 x W. 208x H .85mm per color box
Weight per Unit	1.1Kgs
Packing	6 pcs. Per master carton
Shipping Meas.	L .432 x W.385 x H.280mm
Shipping Weight	12 Kgs

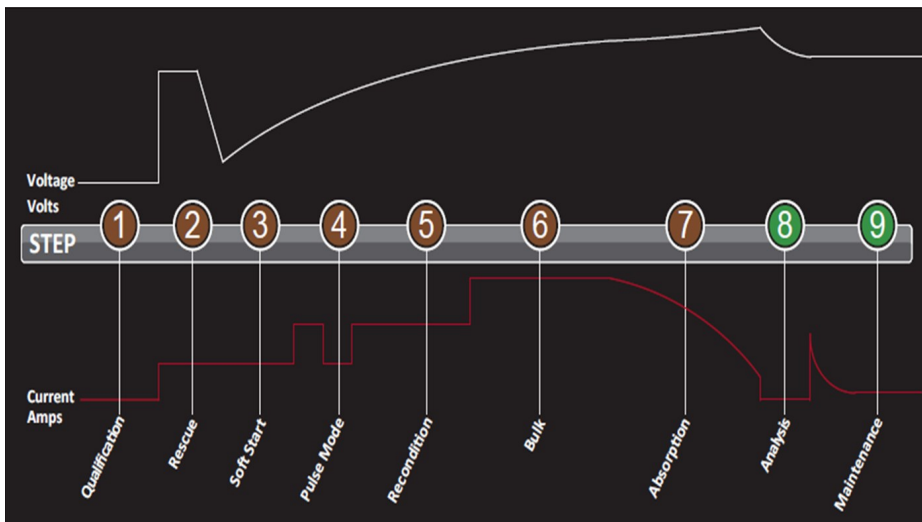
## Mechanical Drawing:



## Electrical Specifications:

Input Voltage	200-240Vac 50Hz 100-120Vac 60Hz
Output Voltage	29.4V 6A Li-Ion / Li-Po (7S) 33.6V 5A Li-Ion / Li-Po (8S) 28.8V 6A Li-FePO4 (8S) 29.4V 6A Lead -acid 29.4V 3A Lead -acid
Battery Size Recommend	Min. 12Ah - Max.240Ah
Efficiency	>82 %
Battery Type	Flooded, Maintenance free, VRLA, AGM, GEL and Lithium battery
Housing	94V0 Fire Retardant plastic material
Operation Temperature	-20 °C to 45 °C

## 9 Steps Charging Methods And Descriptions:



- 1. Qualification:**  
Ensures the battery is in good condition prior to charge, charger will not be started if battery is a problematic battery.
- 2. Battery Recovery:**  
Battery Recovery will be commenced if the battery voltage has raised to a unusual high level at the beginning of charge.
- 3. Soft Start:**  
Soft Start follows when battery is rescued successfully, it delivers limited current to re-activate the element of battery for better charging condition.
- 4. Pulse Mode:**  
Pulse mode starts in case the battery has detected at very low level when the charge commences.
- 5. Recondition:**  
Recondition follows when the Pulse Mode is completed, it aims to re-activate the element of battery for battery charging condition.
- 6. Bulk charge:**  
Delivers the maximum constant current for charging up the battery until 80% full.
- 7. Absorption charge:**  
The charge program switches over to constant voltage, the charging current will gradually reduce according to the rise of battery capacity level. Absorption will be stopped automatically once the battery is full.
- 8. Analysis:**  
Checks the battery voltage after charged to ensure the voltage can be retained otherwise the battery will be classified as bad.
- 9. Maintenance**  
The battery can be permanently maintained at maximum working condition by microprocessor monitoring .